

PREPARED BY / RETURN TO: KENNETH D. STARK IOWA DEPARTMENT OF TRANSPORTATION 428 43rd ST. SW MASON CITY, IA 60401 841-423-7584

UNITED STATES PUBLIC LAND SURVEY CORNER CERTIFICATE

OF

Land Survey Monuments situated in Section 11², Township 95N, Range 14W
 of the Fifth Principal Meridian, CHICKASAW County, Iowa.

Previously recorded in 2003-2254, 2006-1980 in County Recorder's Office.
(book, page, document number, etc.)

(Show reason for preparing this certificate, the evidence and detailed procedures used in establishing the corner positions and monumentation found or placed.)

Monument Description and Remarks: NW CORNER: Replaced previously found SMN/IDOT washer with a SMN/IDOT Sec. Cor. washer, 5.6' +/- South of US 18 per previous cert of record 2003-2254 after HMA resurfacing project MP-018-2(707)220--76-19.

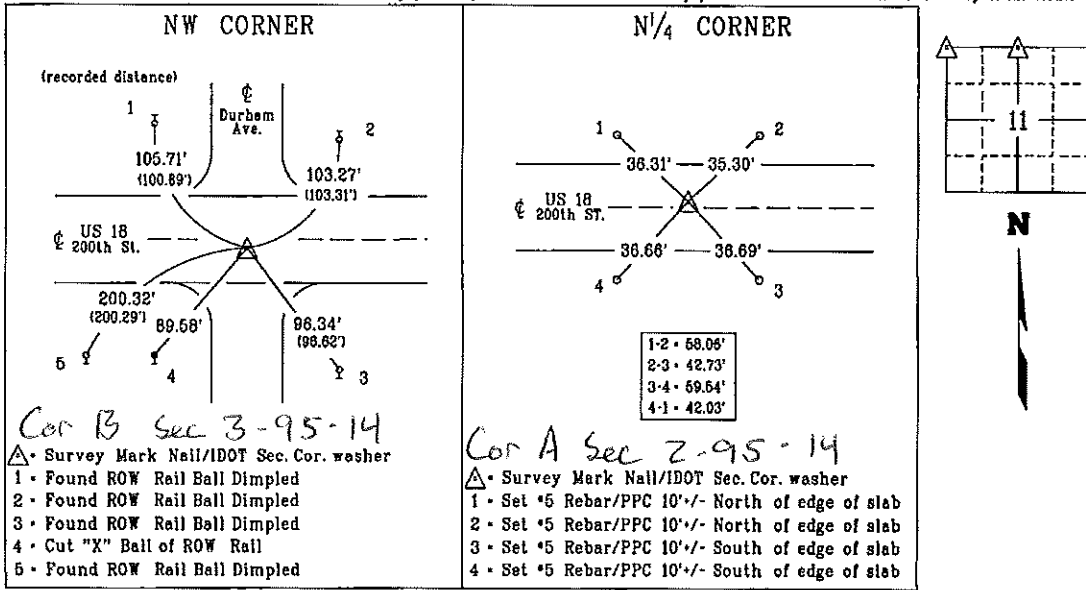
Reason for cert: Monumentation and ties have changed.

N¹/₄ CORNER: Replaced previously found SMN/IDOT washer with a SMN/IDOT Sec. Cor. washer, 0.3' +/- North of US 18 per previous cert of record 2006-1980 after HMA resurfacing project MP-018-2(707)220--76-19.

Reason for cert: Monumentation and ties have changed.

PLAN - VIEW

(Show a minimum of three reference ties to durable physical objects, relevant monuments and physical conditions that will enable recovery of the corner.)



PROFESSIONAL LAND SURVEYOR
 KENNETH D. STARK
 10898
 IOWA

I hereby certify that this land surveying document was prepared and the related survey work was performed by me or under my personal supervision and that I am duly licensed Land Surveyor under the laws of the state of Iowa.
Kenneth D. Stark Date 03-14-16
 Kenneth D. Stark
 License number 10898
 My License renewal date is December 31, 2017
 Pages or sheets covered by this seal. 1

List Corners to be Indexed			
Corner	Section	Township	Range
NW CORNER	11	95N	14W
N ¹ / ₄ CORNER	11	95N	14W

PPC - Pink Plastic Cap
 SMN - Survey Mark Nail

drawn by: cjs 02/16

FILED 2003-2254
 RECORDER'S OFFICE
 CHICKASAW COUNTY, IOWA
 2003 JUL 18 AM 9 00
 CINDY MESSERSMITH
 COUNTY RECORDER

PREPARED BY KENNETH D. STARK 1622 SOUTH TAFT AVENUE, MASON CITY, IOWA, 50401 641-423-7947

UNITED STATES PUBLIC LAND SURVEY CORNER CERTIFICATE

NA OF

Land Survey Monuments situated in Section 3, Township 95N, Range 14W
 of the Fifth Principal Meridian, CHICKASAW County, Iowa.

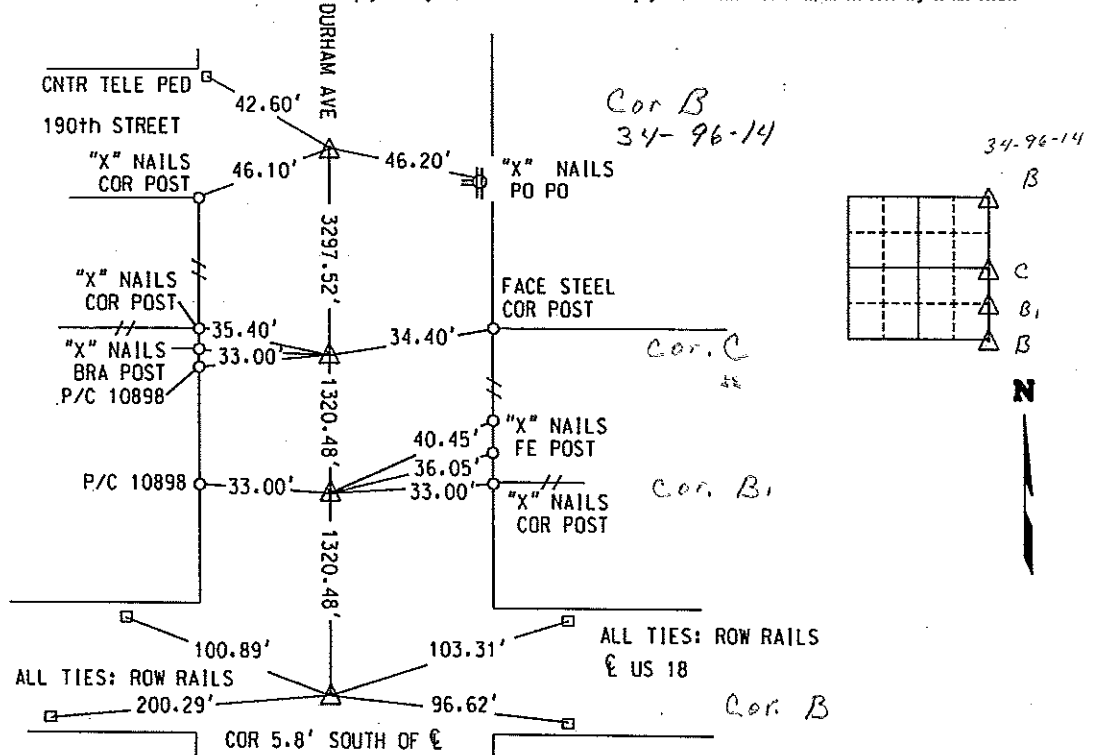
Previously recorded in NA in County Recorder's Office.
(book, page, document number, etc.)

(Show reason for preparing this certificate, the evidence and detailed procedures used in establishing the corner positions and monumentation found or placed.)

Monument Description and Remarks:

- NE COR = FOUND PIN INSIDE PIPE
- E¹/₄ COR = SET PIN CAP PROPORTIONATELY DISTANCED FROM SE COR TO NE COR AND SPLIT DISTANCE BETWEEN CORNER POSTS FOR LINE
- NE COR SE¹/₄ SE¹/₄ = SET PIN/CAP MID POINT ON LINE BETWEEN SE COR & E¹/₄ COR
- SE COR = FOUND ALUMINUM DISK FROM DOT TIES

Show a minimum of three reference ties to durable physical objects, relevant monuments and physical conditions that will enable recovery of the corner.



LICENSED LAND SURVEYOR
 IOWA
 KENNETH D. STARK
 10898

I hereby certify that this land surveying document was prepared and the related survey work was performed by me or under my personal supervision and that I am a duly licensed Land Surveyor under the laws of the state of Iowa.
Kenneth D. Stark Date 07-15-03
 Kenneth D. Stark
 License number 10898
 My license renewal date is December 31, 2003
 Pages or sheets covered by this sect. 1

List Corners to be Indexed			
Corner	Section	Township	Range
NE	3	95	14
E ¹ / ₄	3	95	14
NE COR			
SE ¹ / ₄ SE ¹ / ₄	3	95	14
SE	3	95	14

Filed 8-15-03