

Instrument #: 2021-0522  
 03/15/2021 09:59:52 AM Total Pages: 1  
 SCC SECTION CORNER CERTIFICATES  
 Recording Fee: \$ 7.00  
 Shirley Troyna, Recorder, Chickasaw County Iowa

Reserved for County Rr

Kyle J. Helland, 6109 Chancellor Drive, Cedar Falls, Iowa 50613-6916, (319)-266-0161

## UNITED STATES PUBLIC LAND SURVEY CORNER CERTIFICATE OF

LAND SURVEY MONUMENTS SITUATED IN SECTION NO. 19, TOWNSHIP NO. 95 NORTH, RANGE  
 NO. 14 WEST OF THE FIFTH PRINCIPAL MERIDIAN, CHICKASAW COUNTY, IOWA.  
 PREVIOUSLY RECORDED IN BOOK 166 PAGE 56

(SHOW REASON FOR PREPARING THIS CERTIFICATE, THE EVIDENCE AND DETAILED PROCEDURES USED IN ESTABLISHING THE  
 CORNER POSITIONS AND MONUMENTATION FOUND OR PLACED.)

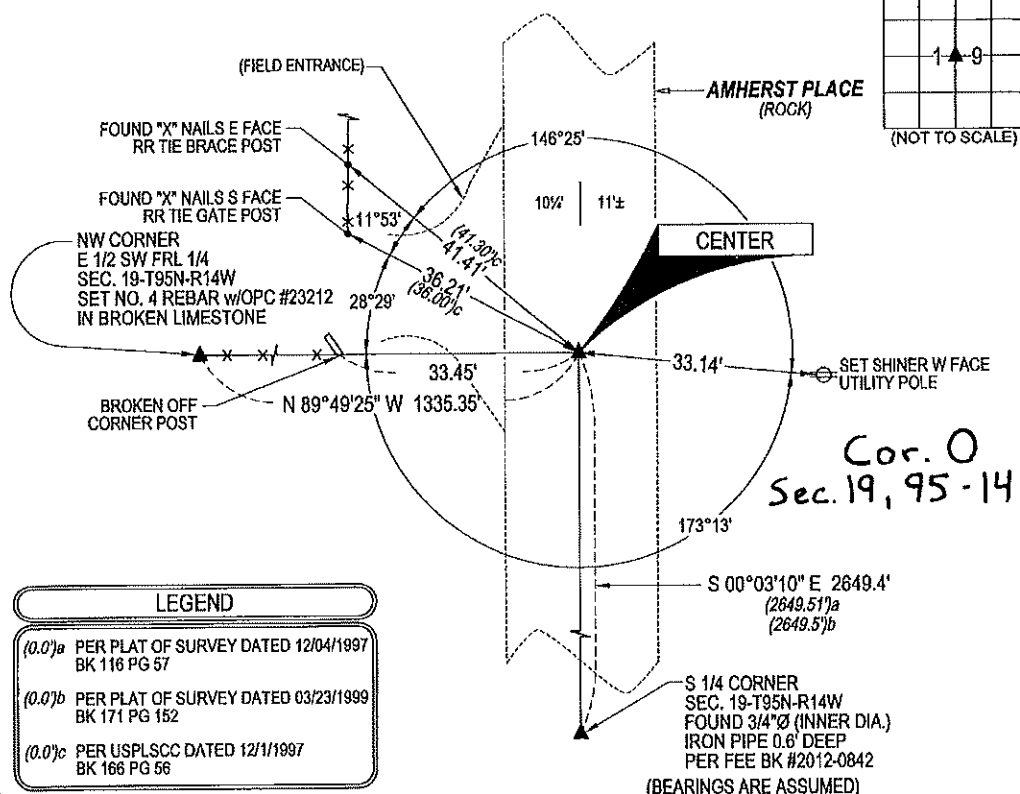
**MONUMENT DESCRIPTION AND REMARKS:**

ONLY 2 TIES REMAIN. SURVEY COMPLETED IN THE SW FRL 1/4 OF SEC. 19-T95N-R14W.

**CENTER:** CHICKASAW COUNTY REFERENCE TIES DATED 06/04/1952 CALLS FOR [IRON PIN]. USPLSCC BOOK 166 PAGE  
 56 DATED 12/01/1997 CALLS FOR [FOUND I.P.]. SEARCHED AREA WITH MAGNETIC DETECTOR, EXCAVATED, AND FOUND  
 IRON PIN 2.5' DEEP. SET NO. 4 REBAR w/OPC #23212 DIRECTLY ABOVE SAID IRON PIN TO RAISE MONUMENTATION. SAID  
 REBAR IS 0.3' DEEP.

### PLAN VIEW

(SHOW A MINIMUM OF THREE REFERENCE TIES TO DURABLE PHYSICAL OBJECTS, RELEVANT MONUMENTS AND PHYSICAL  
 CONDITIONS THAT WILL ENABLE RECOVERY OF THE CORNER.)



LEGEND	
(0.0)a	PER PLAT OF SURVEY DATED 12/04/1997 BK 116 PG 57
(0.0)b	PER PLAT OF SURVEY DATED 03/23/1999 BK 171 PG 152
(0.0)c	PER USPLSCC DATED 12/1/1997 BK 166 PG 56



**HELLAND ENGINEERING & SURVEYING, LTD.**  
 6109 Chancellor Drive  
 Cedar Falls, Iowa 50613-6916  
 (319)-266-0161

BRASS TAG = 4d, NAIL & 13/16" Ø BRASS TAG DRAWN BY: KDA  
 SHINER = 1" Ø STEEL SHINER w/MASONRY NAIL  
 OPC = PLASTIC CAP (O=ORANGE, R=RED, Y=YELLOW)  
 (00') RECORDED AS FILE NAME: 21-119-29.DWG



I hereby certify that this land surveying document was prepared  
 and the related survey work was performed by me or under my  
 direct personal supervision and that I am a duly licensed  
 Professional Land Surveyor under the laws of the State of Iowa.  
*Kyle J. Helland 03/10/2021*  
 Kyle J. Helland  
 License Number 23212  
 My license renewal date is December 31, 2021.  
 All pages or sheets are covered by this seal except:

LIST CORNERS TO BE INDEXED			
CORNER	SECTION	TOWNSHIP	RANGE
CENTER	19	95N	14W