

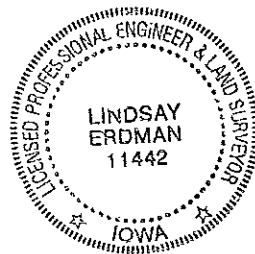
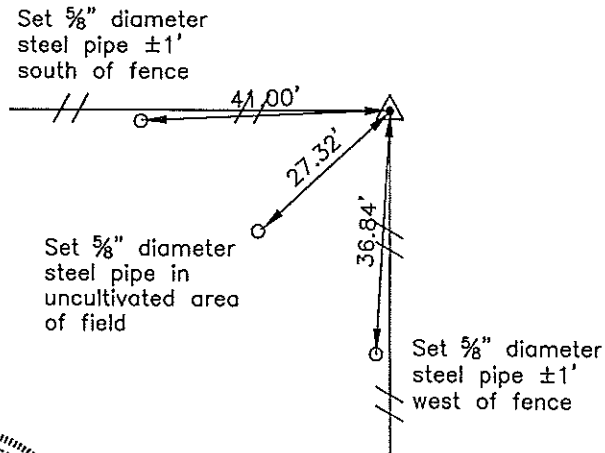
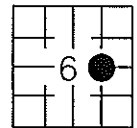
Prepared by: Erdman Engineering, P.C., 708 Commerce Drive, P.O. Box 246, Decorah, Iowa 52101 (563) 382-4194

United States Public Land Survey Corner Certificate
 of

Land Survey Monuments situated in Section 6, Township 95, Range 13 West of the 5th Principal Meridian in Chickasaw County, Iowa. Previously recorded in does not apply in the county Recorder's Office.

Monument Description and Remarks: This certificate is prepared in accordance with Section 193C of the Code of Iowa. No previous certificate has been filed for this corner location. We found no record of the E 1/8 Corner being set. We found no evidence of a monument in the field other than an existing fence corner with fence lines running west and south. We found the S 1/4 Corner, W 1/4 Corner and E 1/4 Corner. We set the N 1/4 Corner. We computed the location of the Center Section at the intersection of the lines from the Quarter Corners. We computed the location of the E 1/8 Corner on line and equidistant between the E 1/4 Corner and the Center Section. This location was ±10' west of the existing fence corner. We set a 5/8" diameter steel bar with 2" aluminum cap #11442 on line between the W 1/4 Corner and the E 1/4 Corner and in the fence line running south as the E 1/8 Corner of Section 6, Township 95 North, Range 13 West.

Plan-View



Cor Q

I hereby certify that this land surveying document was prepared and the related survey work was performed by me or under my direct personal supervision and that I am a duly licensed Land Surveyor under the laws of the State of Iowa.

Signature [Signature]
 Lindsay Erdman, P.E. and P.L.S. Iowa License Number 11442

Date: 2/8/08

My license renewal date is December 31, 2008

Corner(s) to be Indexed

Corner	Section	Township	Range
E 1/8	6	95	13