

DOCUMENT NO. **01227** FILED FOR RECORD THE 12th DAY OF January, 1996 AT 8:48 O'CLOCK A. M. BOOK 159 DEED PAGE 451 STATE OF IOWA, CHICKASAW COUNTY.
 RECORDING FEE \$ 6.00 By Leitha N. Ross Recorder
 TRANSFER FEE \$ ----- LEITHA N. ROSS Deputy

Prepared By: Erdman Engineering P.C. P.O. Box 246 Decorah, IA 52101 (319) 382-4194

United States Public Land Survey Corner Certificate of

Land Survey Monuments situated in Section 15 Township 94N Range 12W of the Fifth Principle Meridian, Chickasaw County, Iowa. Previously recorded in does not apply in County Recorders Office.

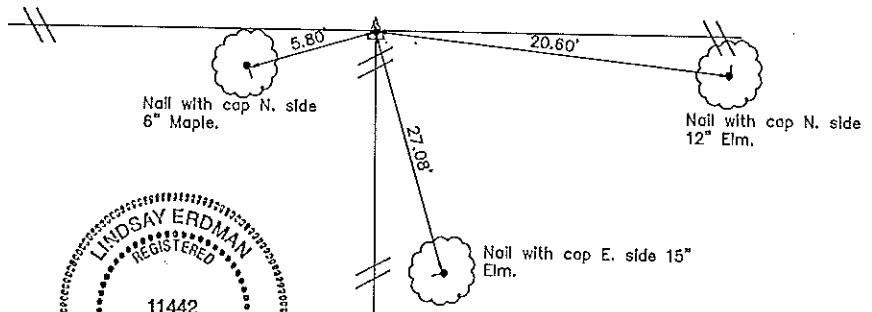
(Show reason for preparing this certificate, the evidence and detailed procedures used in establishing the corner positions and monumentation found or placed.)

Monument Description and Remarks: This certificate is prepared in accordance with Section 355.11 of the 1995 Code of Iowa. No previous certificate has been filed for this corner location. We set a 1/2" bar with cap RLS #11442 at the existing fence corner. Property line fences from this corner ran East, West, and South.

Plan-View

(Show a minimum of three reference ties to durable physical objects, relevant monuments and physical conditions that will enable recovery of the corner.)

Center Section Corner Set 1/2" bar with cap RLS #11442 at existing fence corner.



Cor 0

I hereby certify that the survey work was completed and this certificate was prepared by me or under my direct supervision and that I am a duly registered land surveyor under the laws of the State of Iowa.

Signature Lindsay Erdman
 Lindsay Erdman, P.E. and L.S.
 Date: 1/4/96 Reg. No. 11442

My license will be renewed January 1, 1997

List Corners to be Indexed			
Corners	Section	Twp.	Range
Center Section	15	94	12