

UNITED STATES PUBLIC LAND SURVEY CORNER CERTIFICATE

OF

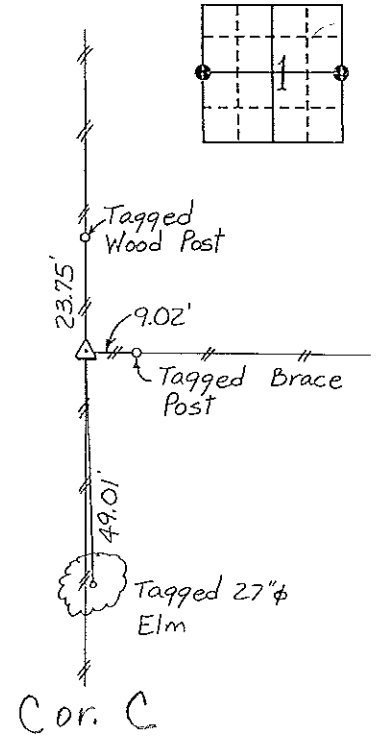
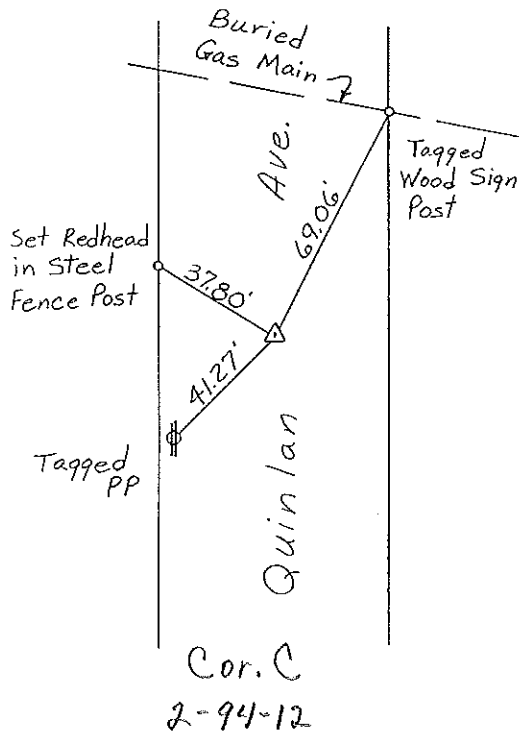
Land Survey Monuments situated in Section 1, Township 94 NORTH, Range 12 WEST, of the Fifth Principal Meridian, CHICKASAW County, Iowa. Previously recorded in NONE in County Recorder's Office

(Show reason for preparing this certificate, the evidence and detailed procedures used in establishing the corner positions and monumentation found or placed.)

Monument Description and Remarks: W 1/4 CORNER, SECTION 1-T94N-R12W.  
Set 1/2" Rebar w/cap record distance from SW Corner of  
Section & on E County Road.  
E 1/4 CORNER, SECTION 1-T94N-R12W: Set 1/2" Rebar w/cap  
@ Existing Fence Corner.

PLAN - VIEW

(Show a minimum of three reference ties to durable physical objects, relevant monuments and physical conditions that will enable recovery of the corner.)



W 1/4 CORNER, SECTION 1-T94N-R12W

E 1/4 CORNER, SECTION 1-T94N-R12W

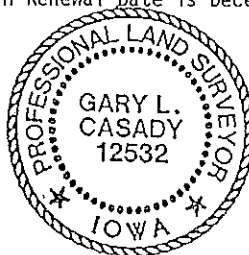
I hereby certify that the survey work was completed and this certificate was prepared by me or under my direct personal supervision and that I am a duly registered land surveyor under the laws of the state of Iowa.

Signature: Gary L. Casady  
Name typed or printed: Gary L. Casady

Date: 7-21-94 Reg. No. 12532

My Registration Renewal Date is December 31, 1994

Corners	Section	Twp	Range
W 1/4	1-2-94-12	94N	12'
E 1/4	1-2-94-12	94N	12'



SEAL

Placed in tie book  
8/19/94  
JFM