

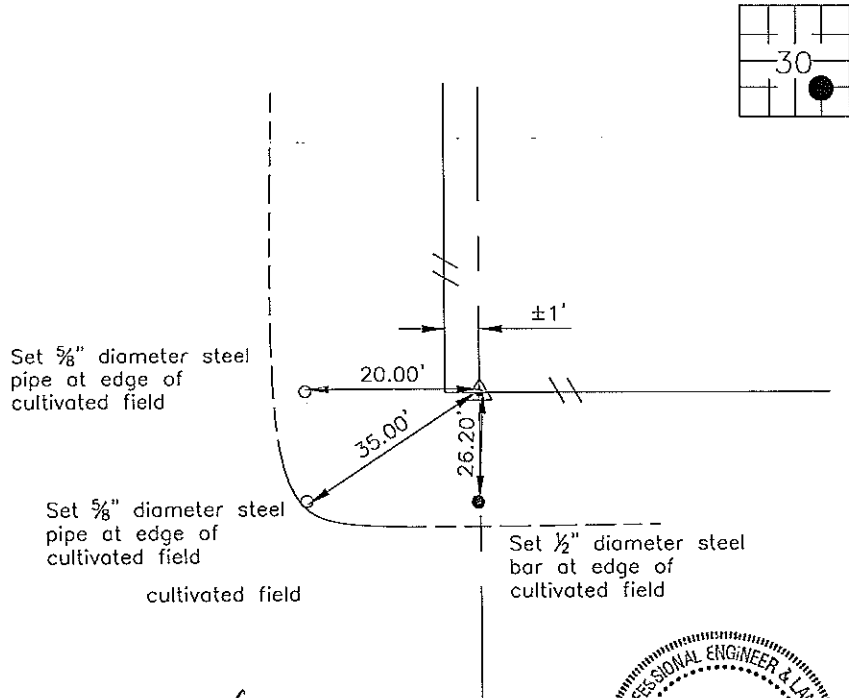
Prepared by: Erdman Engineering, P.C., 708 Commerce Drive, P.O. Box 246, Decorah, Iowa 52101 (563) 382-4194

United States Public Land Survey Corner Certificate
of

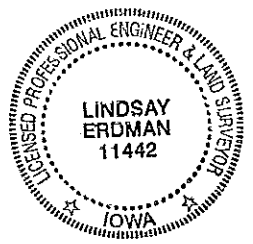
Land Survey Monuments situated in Section 30, Township 94, Range 12 West of the 5th Principal Meridian in Chickasaw County, Iowa. Previously recorded in does not apply in the county Recorder's Office.

Monument Description and Remarks: This certificate is prepared in accordance with Section 193C of the Code of Iowa. No previous certificate has been filed for this corner location. We found no record of the SE $\frac{1}{8}$ Corner being set. We found no evidence of a monument in the field other than an existing fence corner with fence lines running east and north. We found the E $\frac{1}{4}$ Corner, W $\frac{1}{4}$ Corner, S $\frac{1}{4}$ Corner, N $\frac{1}{4}$ Corner and SE Corner. We computed the location of the Center Section at the intersection of the lines from the quarter corners. We set a $\frac{3}{4}$ " diameter steel bar with 2" aluminum cap the the intersection the lines from the midpoints of the four sides of the SE Quarter as the SE $\frac{1}{8}$ Corner of Section 30, Township 94 North, Range 12 West.

Plan-View



Cor. K



I hereby certify that this land surveying document was prepared and the related survey work was performed by me or under my direct personal supervision and that I am a duly licensed Land Surveyor under the laws of the State of Iowa.

Signature Lindsay Erdman
Lindsay Erdman, P.E. and P.L.S., Iowa License Number 11442

Date: 12/9/08

My license renewal date is December 31, 2008

Corner(s) to be Indexed			
Corner	Section	Township	Range
SE 1/16	30	94	12