

Corner B
 Section 20-97-12
 As referred to in
 Engr. Tie Book

Chickasaw Co. Recorder
 Cindy Messersmith
Fee Book 2008-1521
 08/06/2008 @1003AM
 SCC SEC COR CERT
 Book: Page: \$7.00 # Pages: 1
 Total Fees:

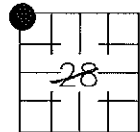
Prepared by: Erdman Engineering, P.C., 708 Commerce Drive, P.O. Box 246, Decorah, Iowa 52101 (563) 382-4194

United States Public Land Survey Corner Certificate

of ²⁰~~28~~
 Land Survey Monuments situated in Section ~~28~~, Township 97, Range 12 West of
 the 5th Principal Meridian in Chickasaw County, Iowa. Previously recorded in
does not apply in the county Recorder's Office.

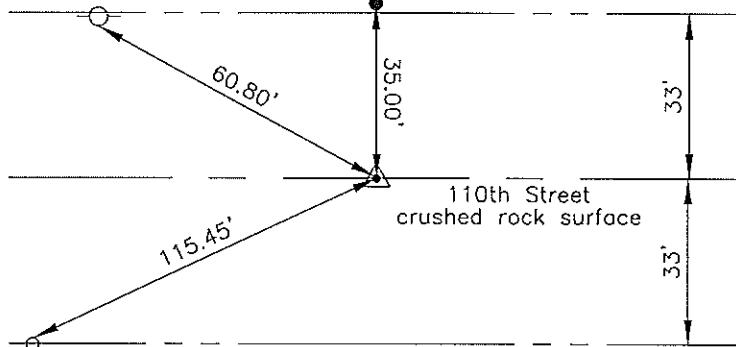
Monument Description and Remarks: This certificate is prepared in accordance with Section 193C of the Code of Iowa. No previous certificate has been filed for this corner location. Chickasaw County Engineer's Reference Ties show that an iron pin was set midway between fences in 1954. We searched for the tie markers previously set. We did not find any as they appear to have been removed. Chickasaw County Engineer's Reference Ties show a record distance of 2645.9' from the N 1/4 Corner Section 29 to the NE Corner of Section 29 and a record distance of 2262' from the S 1/4 of Section 21 to the SW Corner of Section 21. We found the N 1/4 corner of Section 29 and the S 1/4 Corner of Section 21. The measured distance was 4933.11'. We set a 1/2" diameter steel bar with 1 1/2" aluminum cap #11442 at the proportionate distance of 2659.49' (4933.11/(2645.9 + 2262) x 2645.9 = 2659.49') and at the center of the 66' wide county road right-of-way as the NW Corner of Section 28, Township 97 North, Range 12 West.

Plan-View

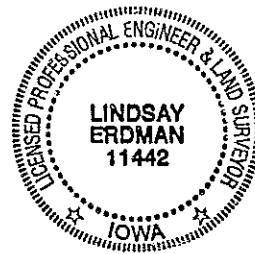


Nail with orange plastic cap #11442 on south side of utility pole

Set 1/2" diameter steel bar at approximate ROW line



Nail with orange plastic cap #11442 on north side of wood post



Cor. B
 20-97-12

I hereby certify that this land surveying document was prepared and the related survey work was performed by me or under my direct personal supervision and that I am a duly licensed Land Surveyor under the laws of the State of Iowa.

Signature Lindsay Erdman
 Lindsay Erdman, P.E. and P.L.S. Iowa License Number 11442

Date: 8/11/08

My license renewal date is December 31, 2008

Corner(s) to be Indexed

Corner	Section	Township	Range
NW	28	97	12