

FILED 2001-1474  
 RECORDER'S OFFICE  
 CHICKASAW COUNTY, IOWA  
 See 6.00  
 2001 JUL 19 AM 9 26

CINDY MESSERSMITH  
 COUNTY RECORDER

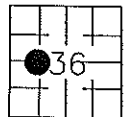
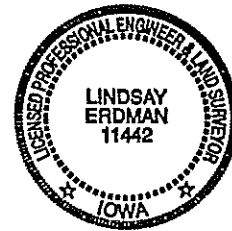
Prepared by: Erdman Engineering, P.C. 708 Commerce Drive, P.O. Box 246 Decorah, Iowa 52101, (563)382-4194

United States Public Land Survey Corner Certificate  
 of

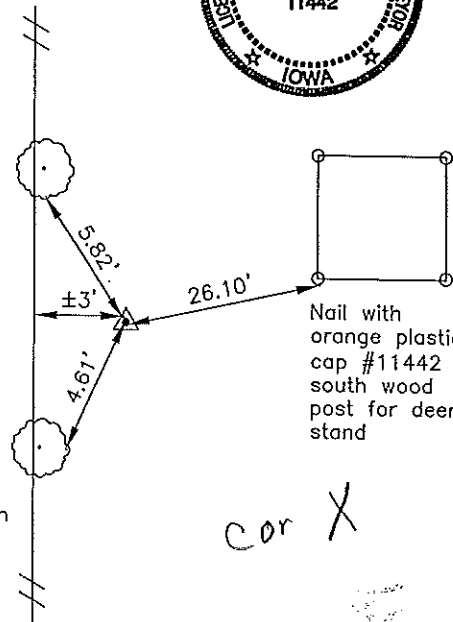
Land Survey Monuments situated in Section 36, Township 94, Range 13 West of the 5th Principal Meridian in Chickasaw County, Iowa. Previously recorded in does not apply in the county Recorder's Office.

Monument Description and Remarks: This certificate is prepared in accordance with Section 193C of the Code of Iowa. No previous certificate has been filed for this corner location. We found no record of the W 1/8 Corner being set. We found no evidence of a monument in the field. We found the SW Corner, and the S 1/4 Corner, based on the Plat of Survey recorded in Book 128 page 285, the recorded bearing and distance from the SW Corner to the S 1/4 is N 89°57'40" W 2611.84'. We set the Center Section at the recorded bearing and distance of N 00°06'04" E 2652.00' from the S 1/4 Corner. We set the SSW 1/8 Corner on line and midway between the SW Corner and the S 1/4 Corner. Based on the Plat of Survey recorded in Book 128 page 285 in the Chickasaw County Recorder's Office, we set a 1/2" diameter steel bar with yellow plastic cap #11442 at the recorded bearing and distance from the Center Section (S 89°43'40" E 1319.66') and the SSW 1/8 Corner (N 00°11'42" W 2657.39') as the W 1/8 Corner of Section 36, Township 94 North, Range 13 West.

Plan-View



Nail with orange plastic cap #11442 on south 12" Ash



Nail with orange plastic cap #11442 on south wood post for deer stand

Nail with orange plastic cap #11442 on east 12" Ash

I hereby certify that the survey work was completed and this certificate was prepared by me or under my direct supervision and that I am a duly registered land surveyor under the laws of the State of Iowa.

Signature: Lindsay Erdman  
 Lindsay Erdman, P.E. and L.S.

Date: 7/17/01 Reg. No. 11442

My license renewal date is December 31, 2002

Corner(s) to be Indexed

Corner	Section	Township	Range
W 1/8	36	94	13

Entered 1-15-02