

Instrument #: 2019-0037  
 01/09/2019 02:47:41 PM Total Pages: 1  
 SCC SECTION CORNER CERTIFICATES  
 Recording Fee: \$ 7.00  
 Shirley Troyna, Recorder, Chickasaw County Iowa



MOHN SURVEYING INC. ROGER R. MOHN 1890 GREAT RIVER ROAD LANSING, IOWA 52151 (563) 538-4067

TIES. DWG P. Brandenburg

SLSI 9-90

UNITED STATES PUBLIC LAND SURVEY CORNER CERTIFICATE

OF

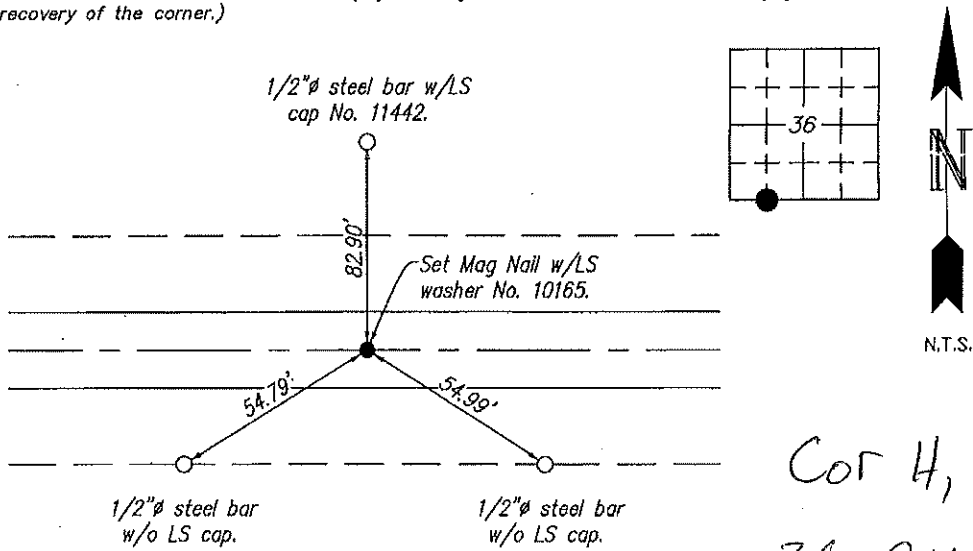
Land Survey Monuments situated in Section 36; Township 94 North, Range 13 West, of the Fifth Principal Meridian, Chickasaw County, Iowa.  
 Previously recorded in Doc. # 2001-1439 in County Recorder's Office.  
 (book, page, document number, etc.)

(Show reason for preparing this certificate, the evidence and detailed procedures used in establishing the corner positions and monumentation found or placed.)

Monument Description and Remarks: Corner position was previously monumented with a "Cut 'X' in concrete" which was covered with HMA pavement overlay. Re-established corner position using recorded plat of survey and USPLSS Corner Certificate. All previous accessories are in existence. Set Mag Nail w/washer No. 10165 in pavement.

PLAN - VIEW

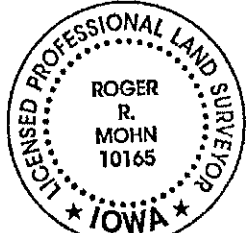
(Show a minimum of three reference ties to durable physical objects, relevant monuments and physical conditions that will enable recovery of the corner.)



Cor 4,  
 36-94-13

I hereby certify that this land surveying document was prepared by me or under my direct personal supervision and that I am a duly Registered Land Surveyor under the laws of the state of Iowa.

Roger R. Mohn 1/02 2019  
 ROGER R. MOHN, P.E. & L.S. Iowa Registration No. 10165  
 My registration expires December 31, 2020



SEAL

| Corners                | List Corners to be Indexed |     |       |
|------------------------|----------------------------|-----|-------|
|                        | Section                    | Twp | Range |
| SW Cor. of SE1/4-SW1/4 | 36                         | 94N | 13W   |

FILED 2001 - 1439  
 RECORDER'S OFFICE  
 CHICKASAW COUNTY, IOWA  
*file # 600*  
 2001 JUL 16 AM 9 04

CINDY MESSERSMITH  
 COUNTY RECORDER

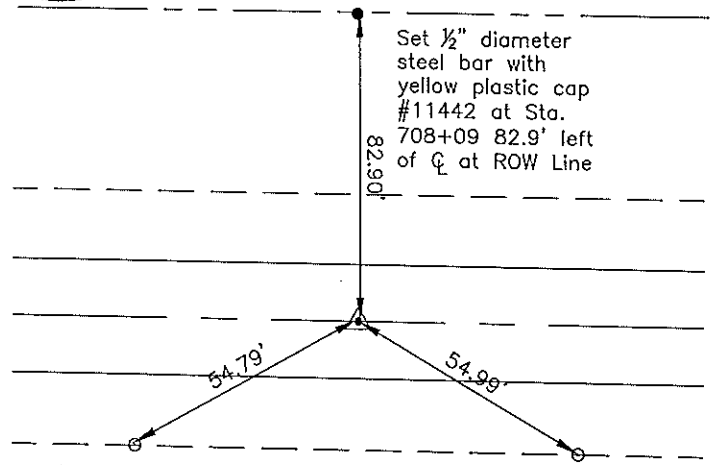
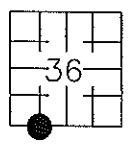
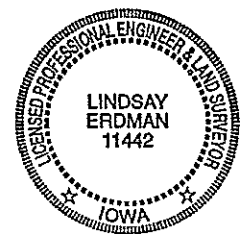
Prepared by: Erdman Engineering, P.C. 708 Commerce Drive, P.O. Box 246 Decorah, Iowa 52101,(563)382-4194

United States Public Land Survey Corner Certificate

of  
 Land Survey Monuments situated in Section 36, Township 94, Range 13 West of  
 the 5th Principal Meridian in Chickasaw County, Iowa. Previously recorded in  
does not apply in the county Recorder's Office.

Monument Description and Remarks: This certificate is prepared in accordance with  
 Section 193C of the Code of Iowa. No previous certificate has been filed for this  
 corner location. We found no record of the SSW  $\frac{1}{8}$  Corner being set. We found no  
 evidence of a monument in the field. We found the SW Corner and the S  $\frac{1}{4}$ . Based on  
 the Plat of Survey recorded in Book 128 page 285 in the Chickasaw County Recorder's  
 Office we cut an "X" on line and midway between the SW Corner and the S  $\frac{1}{4}$  Corner,  
 at the SSW  $\frac{1}{8}$  Corner of Section 36, Township 94 North, Range 13 West. The "X" falls  
 0.1' north of the centerline joint.

Plan-View



Set  $\frac{1}{2}$ " diameter  
 steel bar with  
 yellow plastic cap  
 #11442 at Sta.  
 708+09 82.9' left  
 of  $\mathcal{C}$  at ROW Line

Set  $\frac{1}{2}$ " diameter steel  
 bar at Sta. 707+60  
 25' left of  $\mathcal{C}$

Set  $\frac{1}{2}$ " diameter steel  
 bar at Sta. 708+58  
 26' left of  $\mathcal{C}$

Cor H<sub>1</sub>

I hereby certify that the survey work was completed  
 and this certificate was prepared by me or under my  
 direct supervision and that I am a duly registered  
 land surveyor under the laws of the State of Iowa.

Signature Lindsay Erdman  
 Lindsay Erdman, P.E. and L.S.  
 Date: 7/12/01 Reg. No. 11442

My license renewal date is December 31, 2002

Corner(s) to be Indexed

| Corner  | Section | Township | Range |
|---------|---------|----------|-------|
| SSW 1/8 | 36      | 94       | 13    |

Entered 1-15-02