

Section 4-94-13
 As referred to in
 Engr. Job Book

Chickasaw Co Recorder Cindy Messersmith
 FEE BOOK 2006-0132 1/17/2006 @ 09:07AM
 SEC SEC CCR CERT Book: Page: #: 1
 Total Fees: \$7.00

Prepared by: Erdman Engineering, P.C., 708 Commerce Drive, P.O. Box 246, Decorah, Iowa 52101 (563) 382-4194

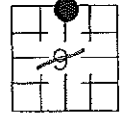
United States Public Land Survey Corner Certificate
 of 4

Land Survey Monuments situated in Section 9, Township 94, Range 13 West of the 5th Principal Meridian in Chickasaw County, Iowa. Previously recorded in does not apply in the county Recorder's Office.

Monument Description and Remarks: This certificate is prepared in accordance with Section 193C of the Code of Iowa. No previous certificate has been filed for this corner location. We found no record of the N 1/4 Corner other than reference to a stone midway between fences. We found no evidence of a monument at the N 1/4 Corner other than the county road. We found the NW Corner and the NE Corner. We computed the location of the N 1/4 Corner on line and equidistant between the NW Corner and the NE Corner. This location came ±9' north of the traveled centerline of the county road and ±20' east of an occupation line to the north. We computed the location of the NNW 1/8 Corner on-line and equidistant between the NW Corner and the N 1/4 Corner. This location is ±9' east of the property line fence running south and ±4' north of the traveled centerline of the county road. We used the existing property line fence as evidence of the location of the east line of the W 1/2 of the NW 1/4 and set a 1/2" diameter steel bar with 1 1/2" aluminum cap #11442 in line with the fence line running south and 33' north of the south row fence at the center of the 66' wide county road right-of-way as the NNW 1/8 Corner. We set a 1/2" diameter steel bar with 1 1/2" aluminum cap #11442 on the extension of the line from the NW Corner through the NNW 1/8 Corner and at double the distance from the NW Corner to the NNW 1/8 Corner as the N 1/4 Corner of Section 9, Township 94 North, Range 13 West.

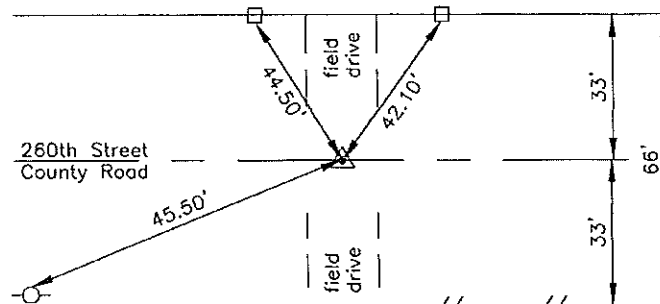
Plan-View

Cor. A Sec 4



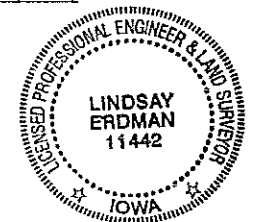
Nail with orange plastic cap #11442 on south side of wooden gate post

Nail with orange plastic cap #11442 on south side of wooden gate post



Cor A
 4-94-13

Nail with orange plastic cap #11442 on north side of power pole



I hereby certify that this land surveying document was prepared and the related survey work was performed by me or under my direct personal supervision and that I am a duly Licensed Land Surveyor under the laws of the State of Iowa.

Signature Lindsay Erdman
 Lindsay Erdman, P.E. and P.L.S., Iowa License Number 11442

Date: 1/16/06

My license renewal date is December 31, 2006

Corner(s) to be Indexed

Corner	Section	Township	Range
N 1/4	9	94	13