

Instrument #: 2022-1895
 10/14/2022 03:34:21 PM Total Pages: 2
 SCC SECTION CORNER CERTIFICATES
 Recording Fee: \$ 12.00
 Shirley Troyna, Recorder, Chickasaw County Iowa



Prepared by: Kyle A. Johnson Address: 1900 MEDICAL ARTS AVE S, SUITE 100 SARTELL, MN Phone: 1-888-937-5150

UNITED STATES PUBLIC LAND SURVEY CORNER CERTIFICATE FOR

Land survey monuments situated in Section 24, Township 97 NORTH
13 WEST, of the Fifth Principal Meridian, CHICKASAW County, Iowa.

Previously Recorded in _____ in County Recorder's Office.

(Show reason for preparing this certificate, the evidence and detailed procedures used in establishing the corner positions and monumentation found or placed.)

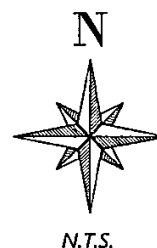
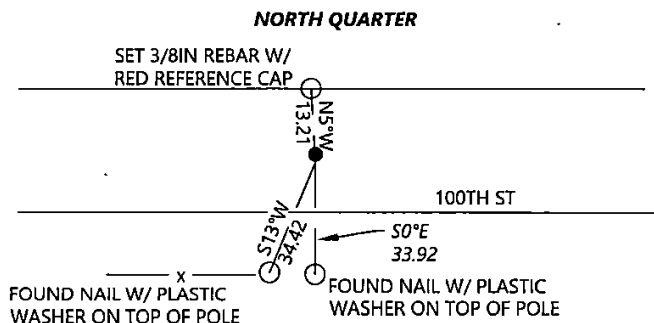
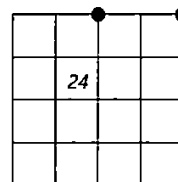
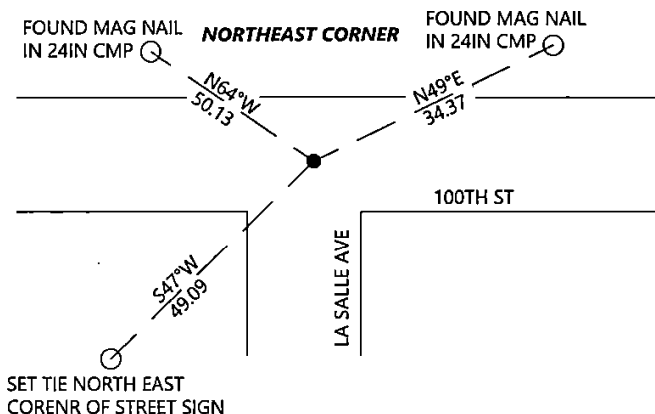
MONUMENT DESCRIPTION AND REMARKS:

NORTHEAST CORNER: Westwood Professional Services found a 1/2" rebar with cap LS11442 0.6' deep and 2 ties from 2016 record. Accepting corner location and set 1 tie. Filing corner record as there are no longer 3 valid ties of record.

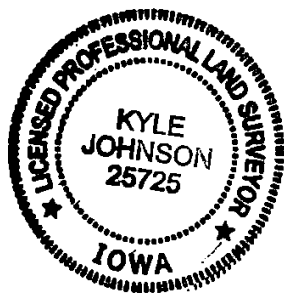
NORTH QUARTER: Westwood Professional Services found a 1/2" bar with illegible cap 0.3' deep and 2 ties of unknown record. Found monument agrees with distances from previous records. Accepting corner location and set 1 tie. Filing corner record as there is no certificate on file for this corner.

PLAN - VIEW

(Show a minimum of three reference ties to durable physical objects, relevant monuments and physical conditions that will enable recovery of the corner.)



Cor. A 13-97-13



SEAL

I hereby certify that this land surveying document was prepared and the related survey work was performed by me or under my direct personal supervision and that I am a duly licensed Land Surveyor under the laws of the state of Iowa.

Signature: Kyle Johnson Date: 10/14/2022

Typed/Printed Name: Kyle A. Johnson

License Number: 25725

My license renewal date is December 31, 2022

Pages or sheets covered by this seal: THIS SHEET

Corners to be Indexed

Corners	Section	Twp.	Range
NE	24	97	13
NQ	24	97	13

Prepared by: Kyle A. Johnson Address: 1900 MEDICAL ARTS AVE S. SUITE 100 SARTELL, MN Phone: 1-888-937-5150

UNITED STATES PUBLIC LAND SURVEY CORNER CERTIFICATE FOR

Land survey monuments situated in Section 24, Township 97 NORTH, Range 13 WEST, of the Fifth Principal Meridian, CHICKASAW County, Iowa.

Previously Recorded in _____ in County Recorder's Office.

(Show reason for preparing this certificate, the evidence and detailed procedures used in establishing the corner positions and monumentation found or placed.)

MONUMENT DESCRIPTION AND REMARKS:

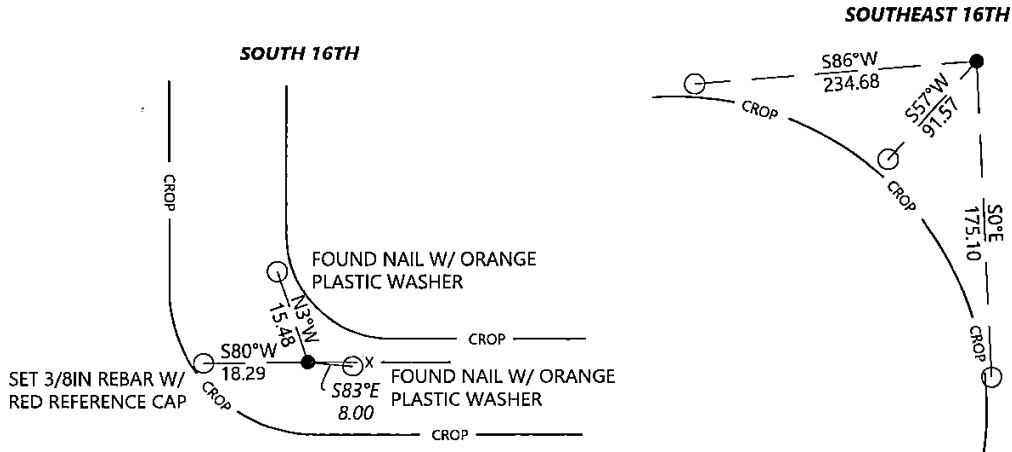
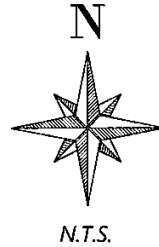
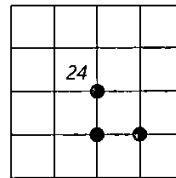
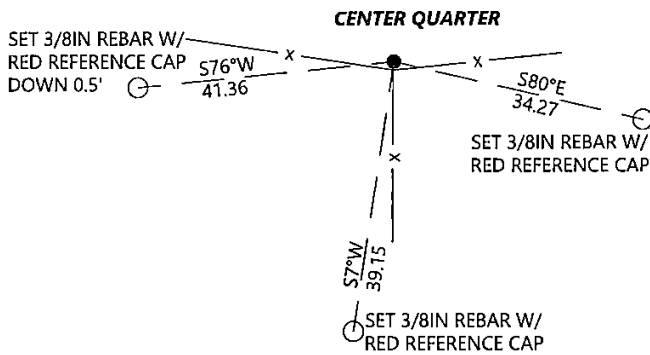
CENTER QUARTER: Westwood Professional Services found a 5/8" rebar with cap LS11442 near fence line intersection. Accepting corner location. Filing corner record as there are no longer 3 valid ties of record.

SOUTH 16TH CORNER: Westwood Professional Services found a 5/8" rebar with illegible cap and 2 ties per 2020 record. Accepting corner location and set 1 tie. Filing corner record as there are no longer 3 valid ties of record.

SOUTHEAST 16TH CORNER: Westwood Professional Services found a 5/8" rebar with cap LS11442 and 1 tie per 2020 record. Accepting corner location and set 2 ties. Filing corner record as there are no longer 3 valid ties of record.

PLAN - VIEW

(Show a minimum of three reference ties to durable physical objects, relevant monuments and physical conditions that will enable recovery of the corner.)



I hereby certify that this land surveying document was prepared and the related survey work was performed by me or under my direct personal supervision and that I am a duly licensed Land Surveyor under the laws of the state of Iowa.

Signature: Kyle Johnson Date: 10/14/2022

Typed/Printed Name: Kyle A. Johnson

License Number: 25725

My license renewal date is December 31, 2022

Pages or sheets covered by this seal: THIS SHEET

Corners to be Indexed

Corners	Section	Twp.	Range
CQ	24	97	13
SE16TH	24	97	13
S16TH	24	97	13