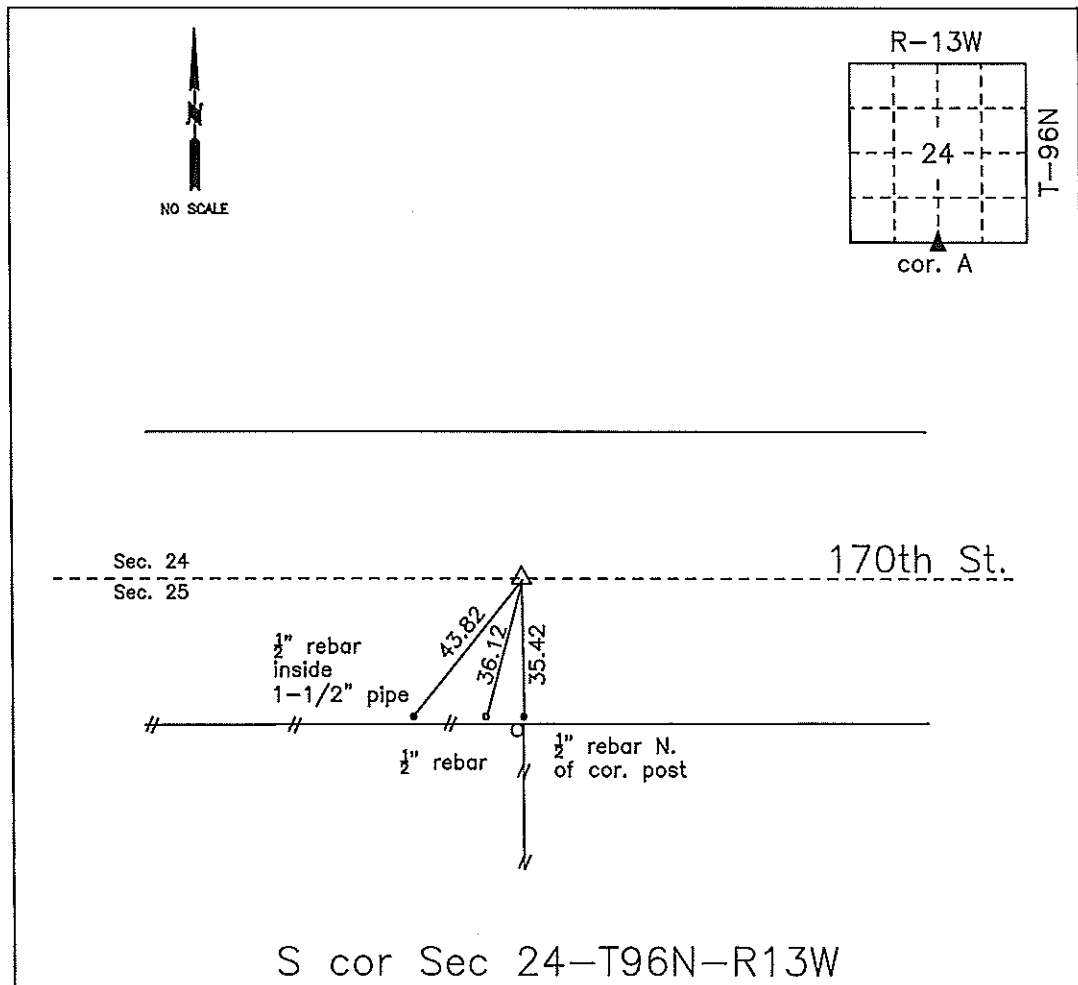


COUNTY ENGINEER'S SECTION CORNER PRESERVATION RECORD

LAND SURVEY MONUMENT LOCATED IN SECTION 24, TOWNSHIP 96 N
NORTH, RANGE 13 W, OF THE 5TH P.M. Chickasaw COUNTY, IOWA
PREVIOUSLY RECORDED Book 2000 pg. 0711



MONUMENT DESCRIPTION AND NARRATIVE Found 1" rebar in center of road in line with
road east and west from Chickasaw County Engineer ties. 2 ties were missing. Set 2 rebars

All ties are GPS surveyed.

I AM NOT A REGISTERED LAND SURVEYOR UNDER THE LAWS OF THE STATE OF IOWA

JIM FOSTER CHICKASAW CO. DATE: 11/08/13

Section 24-96-13
As referred to in
Engr. Tie Book

TEKIPPE ENGINEERING, P.C., 128 South Vine Street, West Union, Iowa 52176 Phone (319) 422-5131

UNITED STATES PUBLIC LAND SURVEY CORNER CERTIFICATE

Land Survey Monuments situated in Section 25 OF 24, Township 96 North, Range 13 West of the Fifth Principal Meridian, CHICKASAW County, Iowa.
Previously recorded in none in County Recorder's Office.
(book, page, document number, etc.)

(Show reason for preparing this certificate, the evidence and detailed procedures used in establishing the corner positions and monumentation found or placed.)

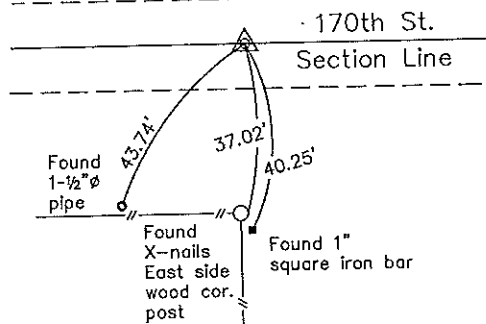
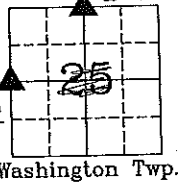
Monument Description and Remarks: N 1/4 Corner Section 25 T96N R13W: Found 1"Ø rebar with information obtained from the Chickasaw County Engineer's Office in the Field Book for Lower Washington Twp. Corner Ties, Section 24, Corner 'A'.

W 1/4 Corner Section 25 T96N R13W: Found PK nail with information obtained from the Chickasaw County Engineer's Office in the Field Book for Lower Washington Twp. Corner Ties, Section 26, Corner 'C'.

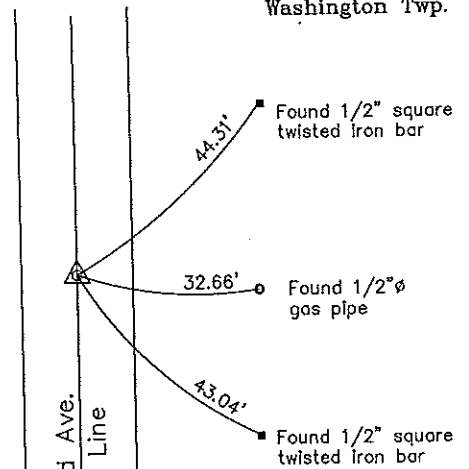
PLAN - VIEW

(Show a minimum of three reference ties to durable physical objects, relevant monuments and physical conditions that will enable recovery of the corner.)

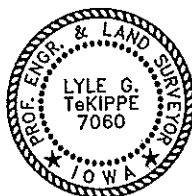
Project Number 00055.15
FR 450 PG. 48-50
Sec 24
Cor. A



N 1/4 Corner Section 25 T96N R13W
Found 1"Ø rebar



W 1/4 Corner Section 25 T96N R13W
Found PK nail



I hereby certify that this land surveying document was prepared and the related survey work was performed by me or under my direct personal supervision and that I am a duly licensed Land Surveyor under the Laws of the State of Iowa.

Lyle G. Tekippe 4-20-00
Lyle G. Tekippe Date
License number 7060
My license renewal date is December 31, 2000.
Sheets covered by this seal: Individual

List Corners to be Indexed			
Corners	Section	Twp.	Range
N 1/4	25	96N	13W
W 1/4	25	96N	13W

Entered 4-26-00

2000-0711

County Engineer's Copy